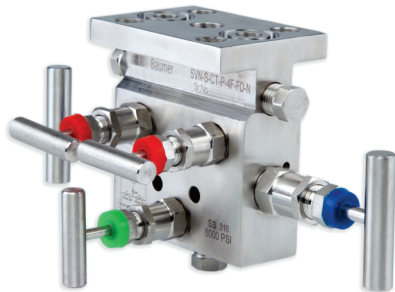


5VN

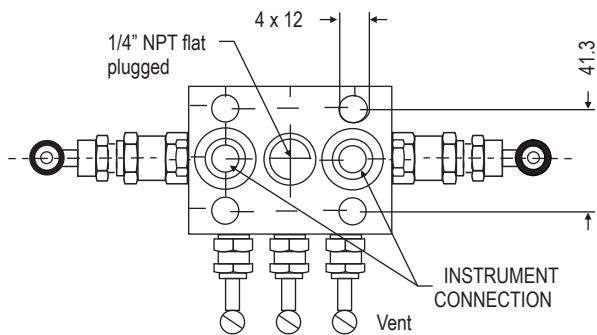
Direct mount (pipe to flange)



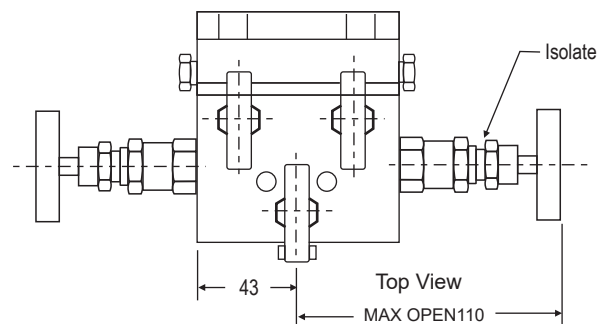
2 inlets NPT female at front and 2 outlets Flange at back side DIN 19213. Vent/test connection at front, equalizing bonnets at top side, isolating bonnets at left and right side-venting bonnet at top.

Standard Connection

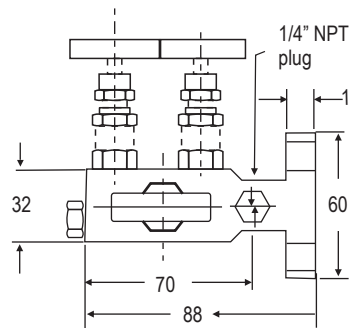
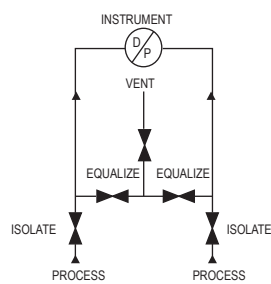
Product	Process side	Instrument side	Vent/Test
5VN	1/2" NPT female	Flanged	1/4" NPT Female



Back View



Top View



Side View

Notes : • Drawings are not to scale. • All Dimensions are in mm.

Specifications - Standard Version

Body	: SS 316
Stem	: SS 316
Valve assembly	: SS 316
'T' bar handle	: SS 304
Maximum working pressure	: 6000 psi
Maximum working temperature	: 240°C
Packing	: PTFE
Type of stem	: Type CT; Stem with conical metal tip
Drain port	: 1/4" NPT [F]; provided with SS 316 plug
Bracket Mounting Holes	: 4 Nos. with 12 mm ID

How To Order

Body Material	Stem Type	Stem Packing	Size = Inlet x Outlet	Connections	Threads
C = Carbon Steel	CT (std)	P = PTFE (std)	4F= 1/2" x Flange	FD = Female x Flange (54mm)	N = NPT (ANSI B 1.20.1)
C = SS 316 (std)	DS	G = Grafoil		SW = Socket Weld	P = BSPP (BS 2779, ISO 228/1)
S4 = SS 304					B = BSPT (BS 21, ISO 7/1)
SL = SS 316L					
M4 = Monel 400					
M5 = Monel 500					
H = Hastelloy C					

Options

TF	: Compliance to NACE standard
SG	: For Oxygen service, valves are supplied cleaned, degreased and suitably packed.
GH	: Material test certificate*
GO	: Hydro test certificate
MB	: Mounting Bracket
PRF	: PTFE Ring For Flange Seal
GRF	: Grafoil Ring For Flange Seal

* Material test certificate will be provided for wetted parts only with chemical composition testing. for others, please consult factory.

Example

To place an order simply refer to the codes in the table.

Valve Type : Body Material + Stem Type + Stem Packing + Size + Connections + Threads + Options

5VN + S + CT + P + 4F + FD + N = 5VN . S . CT . P . 4F . FD . N . Options

Note :

- The weld prepared types are available with female plain end - suitable for socket weld.
- Anti-tamper bonnet - special design on request with locking arrangement if desired.

Note : Specifications and dimensions given in this product catalogue represents the state of engineering at the time of printing .
Modifications may take place and materials specified may be replaced by others without prior notice.